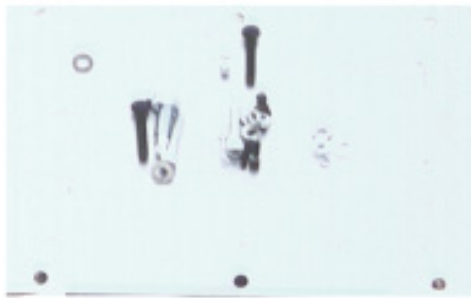


Hinged Strip Magnet

High Intensity – Rare Earth



Rare earth Hinged Strip Magnets are versatile and can be used in various processes. These units are usually installed above transfer conveyors and vibratory feeders to attract 'tramp' type contamination and any loose machinery that has fallen off during manufacturing or packaging stages.

The unit has two rows of magnetic material running along its length. They generate high intensity magnetic flux fields, which reach approx. 85mm from the units front face. The unit is designed so that magnetism is only present on one face ensuring that no surrounding sensitive process machinery is affected.

'Tramp' contamination can be attracted from the conveyor surface even when trapped underneath the product e.g. biscuit etc. The unit's full stainless steel construction means water and chemical clean down can be carried out.

Cleaning

Simply place the supplied collection tray underneath the magnet and hinge the magnetic pack away. This releases all attracted contamination into the tray.

Any attracted machinery parts can be quickly identified and corrective maintenance carried out.

Suitable Products

All conveyed products less than 85mm thick.

Suitable Locations

Above transfer belt conveyors and vibratory feeders.

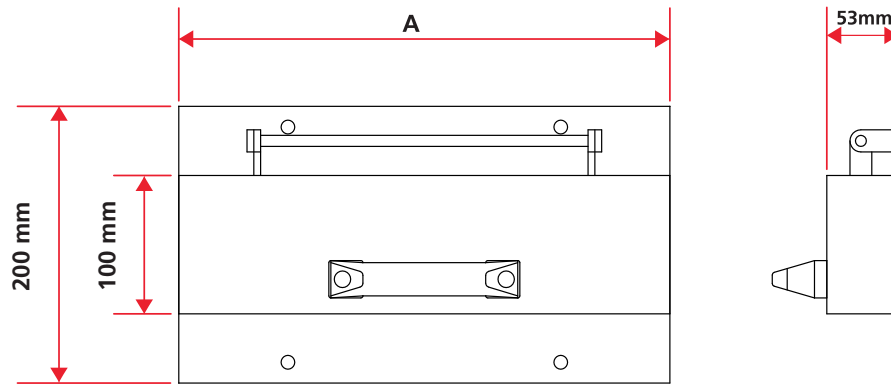
Benefits

- Suitable for wash down
- High collection capacity
- Removes 'tramp' sized contaminants
- Rare earth deep magnetic field
- Easy to clean

Category

Primary protection - tramp.

Technical Data



Product Information

| Part Number | A mm | Weight kg |
|-------------|------|-----------|
| HSM300 | 300 | 9.5 |
| HSM400 | 400 | 12.0 |
| HSM500 | 500 | 15.5 |
| HSM600 | 600 | 19.0 |
| HSM700 | 700 | 23.5 |
| HSM800 | 800 | 27.0 |
| HSM900 | 900 | 30.5 |
| HSM1000 | 1000 | 36.0 |

Performance

Magnetic performance

4,000 Gauss

Performance reading

On magnetic front face

Magnetic field depth

85mm – Using 5mm Ø25mm long mild steel test piece

Magnetic material

Rare earth neodymium iron boron

Magnet grade

N35 – Inspected and confirmed via hysteresograph prior to use

Temperature

-20°C / +90°C

Materials

Housing

304 grade stainless steel

Other Parts

304 grade stainless steel

Surface finish

Brushed to 2.0µm

Options

- High temperature samarium cobalt magnetic material, +250°C
- Length up to 2000mm long
- 316 grade stainless steel
- ATEX certified
- Ceramic magnetic material
- Pharmaceutical specification

If you have any more questions, require technical assistance or would like a quotation, please contact us.

www.eclipsemagnetics.com

Eclipse Magnetics Ltd, Atlas Way, Sheffield, S4 7QQ, England

T +44 (0)114 225 0600 F +44 (0)114 225 0610 E info@eclipsemagnetics.com W www.eclipsemagnetics.com

While every effort has been made to ensure the accuracy of the information in this publication please note that specifications may change without notice.

