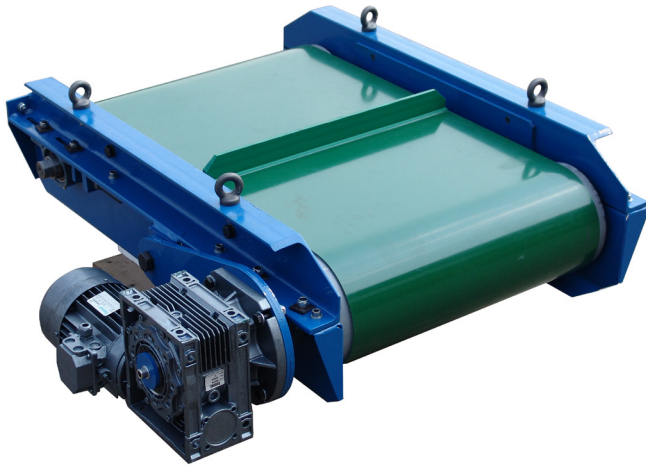


Permanent Magnet Overband

Ceramic Magnetic Material

Datasheet No. 605



Permanent Plate Magnets are used in recycling, quarrying and heavy industries.

These units can be placed above flat or trough type conveyors. Large permanent magnetic packs generate deep penetrating magnetic flux fields that attract and remove 'tramp' type steel items.

This unit is considerably cheaper to purchase and run than electro-magnetic units, the only power consumption is for the geared drive.

When considering installation points it should be noted that steel belt support rollers will need to be changed to non-magnetic ones due to possible flux field absorption.

Cleaning

Overband magnets have a continuously running belt which takes away and deposits all attracted contamination. Carry-over cleats are fitted to ensure that contamination cannot remain on the belt. It can operate 24 / 7 operation without operator intervention.

Suitable Products

All conveyable products, wood chip, biomass, recyclables, aggregates, coal etc.

Suitable Locations

Above transfer conveyors, vibratory feeder outlets etc.

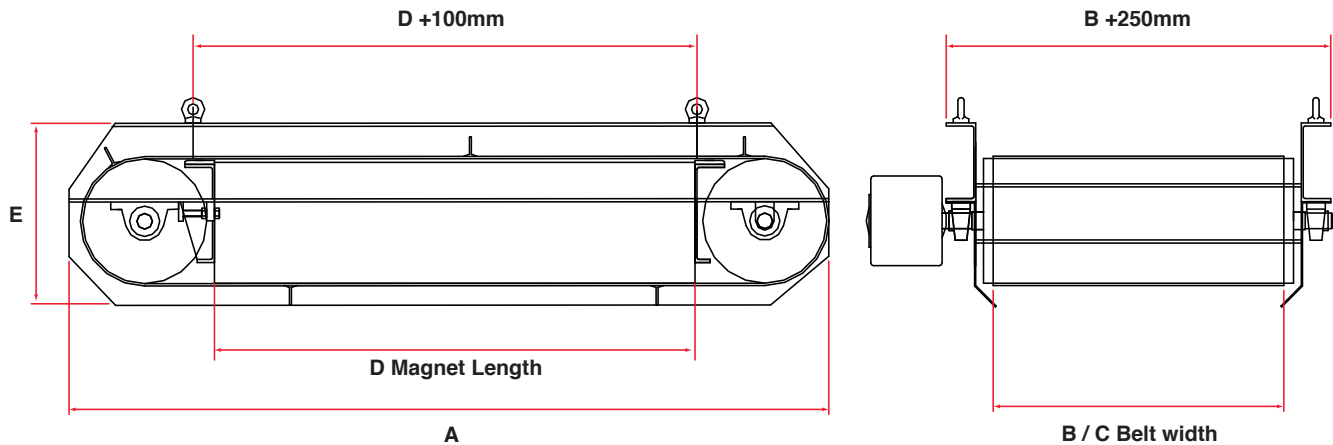
Benefits

- Continuous self cleaning
- Allows difficult products to be screened
- High volume capacity
- Designed for 24 / 7 operation
- Removes large to medium sized contamination

Category

Primary protection tramp.

Technical Data



Product Information

Part Number	A mm	B / C mm	D mm	E mm	Motor kW	Weight kg
100 Series						
OM100 / 300	718	350	300	125	0.18	160
OM100 / 450	868	350	450	125	0.18	205
OM100 / 550	968	350	550	125	0.18	240
OM100 / 650	1068	350	650	125	0.18	270
200 Series						
OM200 / 550	1069	600	550	345	1.00	680
OM200 / 650	1169	600	650	345	1.00	770
OM200 / 850	1419	600	850	345	1.00	820
OM200 / 1050	1619	600	1050	345	1.50	970
OM200 / 1250	1819	600	1250	345	2.20	1120
300 Series						
OM300 / 800	1474	800	800	460	1.50	1700
OM300 / 1050	1724	800	1050	460	2.20	2150
OM300 / 1250	1924	800	1250	460	2.20	2500
OM300 / 1500	2174	800	1500	460	2.20	2850
OM300 / 1750	2424	800	1750	460	2.20	3200

Performance

Magnetic material
Magnetic Field Depth

Ceramic strontium ferrite
100 Series = 100mm* –
200 Series = 200mm* –
300 Series = 300mm* –
-20°C / +60°C

Temperature

*Mild steel test piece 5mm Ø × 25mm long

Materials

Frame
Rollers
Electrical Spec

Powder coated mild steel
Mild steel
415 / 380 Volts industrial three phase IP65 rated motor gearbox
Vulcanised rubber with ultrasonically welded cleats
Galvanised forged steel eyes

Belting

Lifting Points

Options

- Safety electrical interface
- Hydraulic drive motor
- Armoured belting
- Tapered rollers to enable angled operation

If you have any more questions, require technical assistance or would like a quotation, please contact us.

www.eclipsemagnetics.com

Eclipse Magnetics Ltd, Atlas Way, Sheffield, S4 7QQ, England

T +44 (0)114 225 0600 F +44 (0)114 225 0610 E info@eclipsemagnetics.com W www.eclipsemagnetics.com

While every effort has been made to ensure the accuracy of the information in this publication please note that specifications may change without notice.